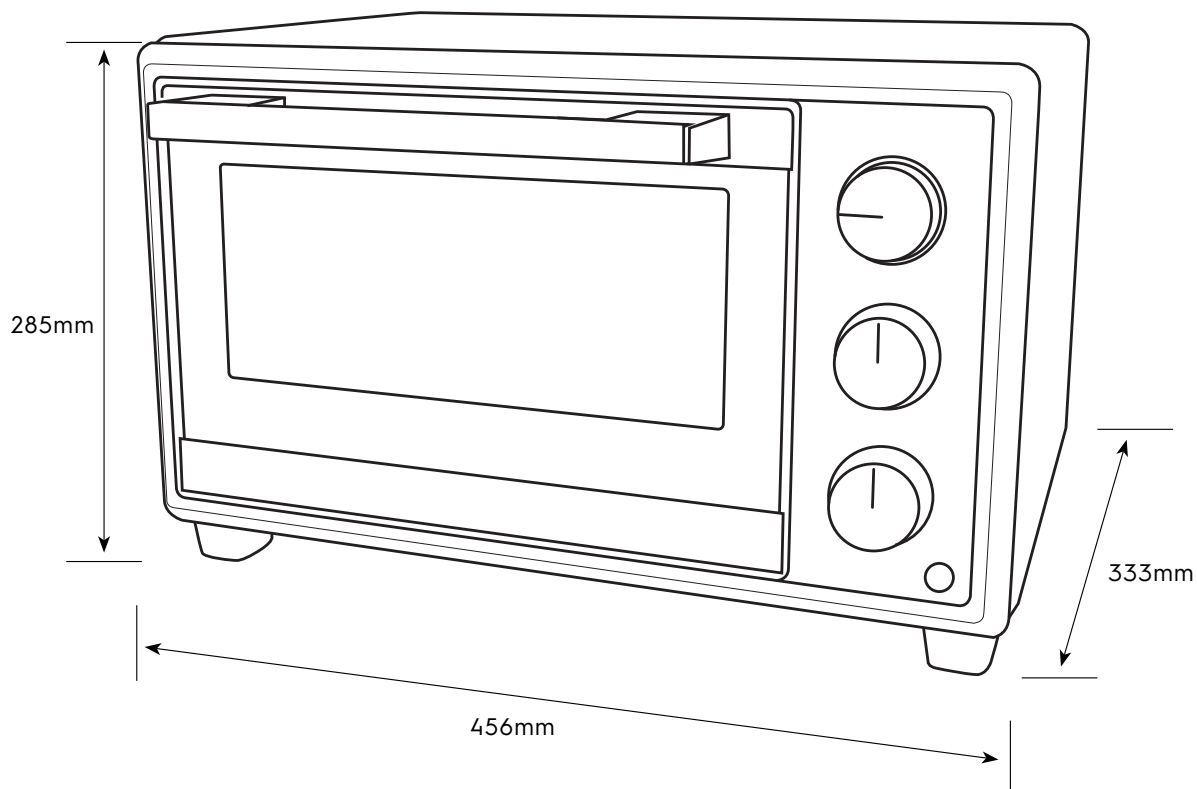


Dimension Guide

Freestanding electric oven

Model:
EOT2115X

Dimensions			
	width	height	depth
Product (mm)	456	285	333



Please note! Dimensions to be used as a guide only. All customers MUST refer to the user manual supplied with the product for detailed installation instructions.
© 2022 Electrolux S.E.A PTE. LTD. E_DIM_EOT2115X_Mar22