

# Dimension Guide

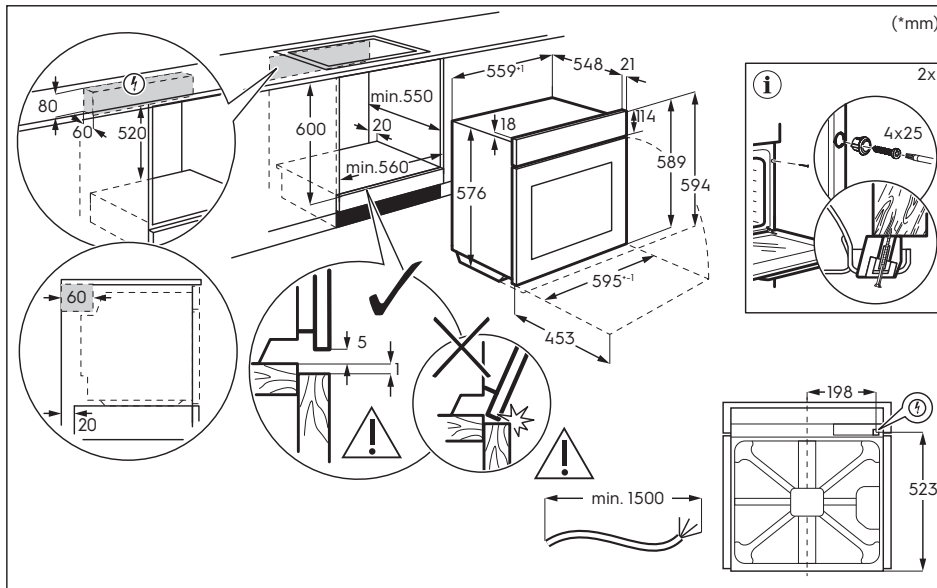
## Built-in single steam oven

**Model:**  
KODDP77H2

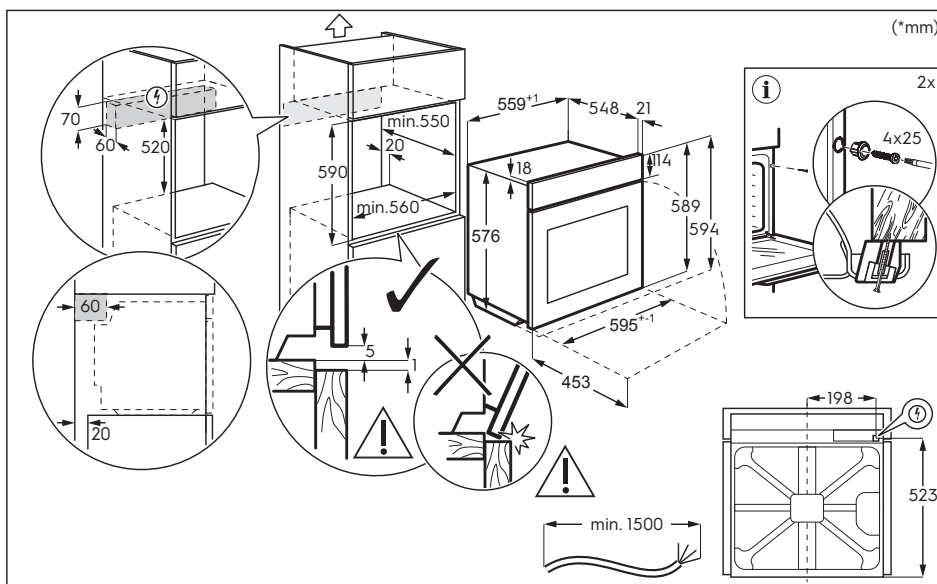
### Dimensions

	width	height	depth
Underbench (mm)	560	600	550
Cabinet (mm)	560	590	550
Product (mm)	595	594	569

### Underbench



### Cabinet



**Please note!** Dimensions to be used as a guide only. All customers MUST refer to the user manual supplied with the product for detailed installation instructions.

© 2025 Electrolux S.E.A PTE. LTD. ELX\_DIM\_KODDP77H2\_Nov25