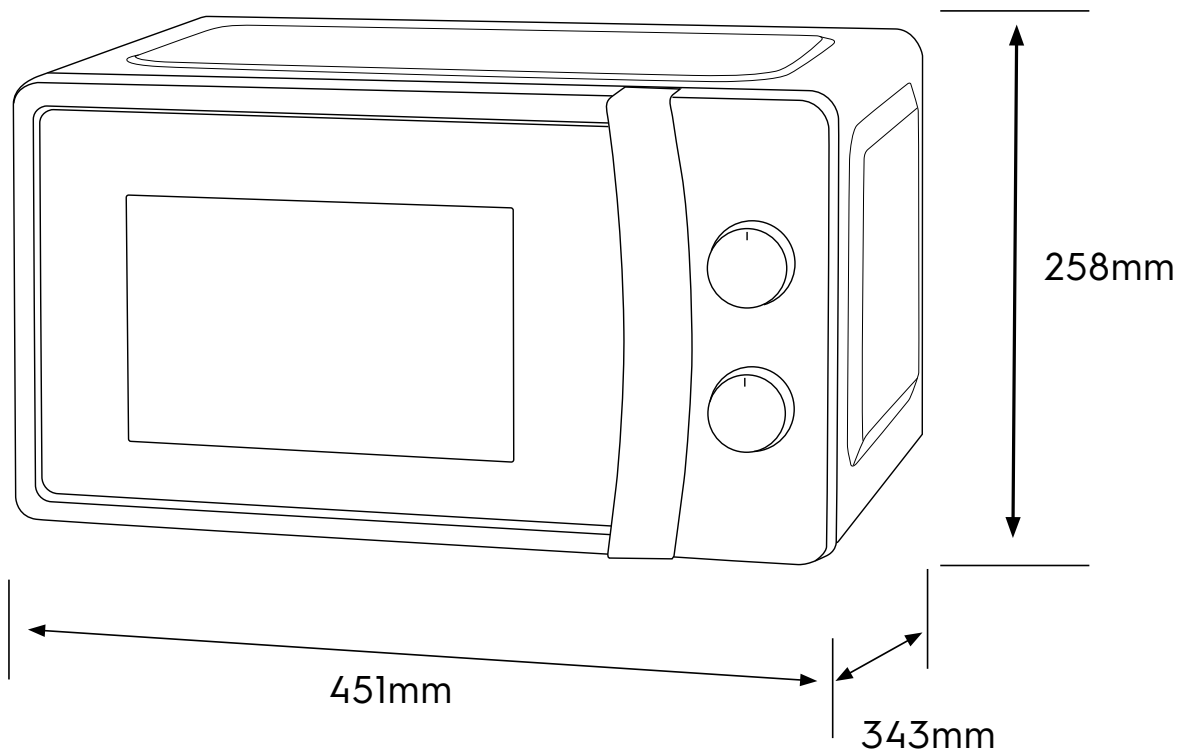


Dimension Guide

Freestanding Microwave

Model:
EMM20K18GW

| Dimensions | | | |
|--------------|-------|--------|-------|
| | width | height | depth |
| Product (mm) | 451 | 258 | 343 |



Please note! Dimensions to be used as a guide only. All customers MUST refer to the user manual supplied with the product for detailed installation instructions.
© 2021 Electrolux S.E.A PTE. LTD. E_DIM_EMM20K18GW_Feb21